

CTM-ONE Wireless Gateway

4G LTE communication solution for rugged mobile & fixed sites.

Compact, Flexible with Superior Connectivity

The CTM-ONE brings an array of benefits to your business. From its connectivity capabilities to its rugged design fit for a range of environments, your business will gain a competitive edge.

The CTM-ONE is an excellent solution for a broad range of markets, such as fleet tracking applications as well as fixed site applications. The gateway is built with advanced variety data interfaces, advanced power management and GNSS.

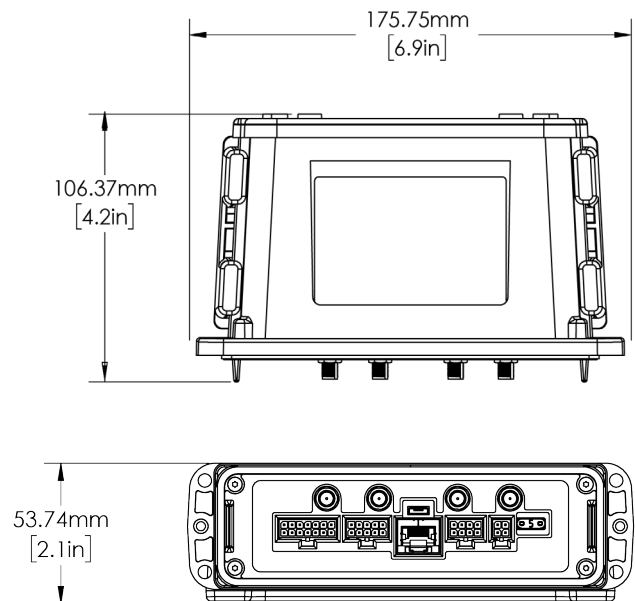
The wireless gateway can be customized and built to fit your exact business needs. The CTM-ONE has an internal antenna and an optional cable cover that provides an extra level of protection. Users can reduce installation time by using a single wire hookup for compatible CAN Bus systems.

CTM-ONE Blade



Features

- Rugged design suitable for extreme operating environments
- Versatile cable management system providing high degree of protection and security
- Optional internal rechargeable battery
- Dual SIM support
- Embedded LTE (MIMO), Wi-Fi and GNSS antennas
- Integrated cloud based device management via Cypress IOT platform
- Variety of mounting options: DIN bracket mount, stud mount, antenna style (blade)
- Compact - W175 mm x D161 mm x H53.7 mm



Cellular Wireless

- Dual sim 2FF (Mini SIM)
- DL MIMO/Rx diversity support
- External MIMO antenna option (SMA), software selectable

LTE CAT 4

- Bands 2,4,5,12,13,14,66,71
- WCDMA (bands: II,IV,V)
- LTE-FDD Max. 150Mbps (DL) Max 50 Mbps (UL)

LTE CAT M1

- Cat M1 LTE (Global LTE Band support)
- Max 375kbps (DL, UL)
- DFOTA support
- Support for eDRX and PSM modes

LTE CAT 1

- Bands 2,4,12
- WCDMA (bands: II,IV,V)
- CAT 1: LTE-FDD Max. 10Mbps (DL)
Max 5 Mbps (UL)

Wi-Fi/Bluetooth

- 802.11 bgn, 2.4 Ghz
- BT4.1 BLE dual mode
- External antenna option (RP-SMA) software selectable

Location

- Autonomous GNSS supporting GPS, GLONASS
- Assisted GPS
- External antenna option - software selectable

Vehicle Bus Communication

- Two high speed CAN interfaces
- OBDII CAN, J1939
- Wake on CAN

Serial Communication

- One RS232 port
- One RS485 half duplex port
- One USB OTG interface

Ethernet

- 1 x Ethernet (RJ45) 10/100 Base T

GPIO

- 4x analog/digital inputs

- 4x open collector outputs
- Analog input range: 0-10V
- Analog input accuracy: 1%
- Analog input resolution: 12 bit

Power Management

- DC input: 6-36V
- Optional internal rechargeable battery for backup
- Various operating modes, full power, standby and shutdown
- Wake on event

Power Consumption

- Shutdown: 0.8mA @ 12V
- Sleep: 3mA @ 12 V
- Operating: 100mA @ 12V

LED Status Indicators

- Power, SIM, Cellular, Wi-Fi, GNSS

General

- Advanced event based reporting logic
- Cypress IOT support for device management and telemetry
- Real-time clock
- RFID iButton® Interface
- Molex™ Micro-Fit locking connectors

Environmental

- Operating temperature: -30 to +70°C
- Battery option operating temperature: -30 to +70°C
- Battery option charging temperature: 0 to +60°C
- IP 66 with cable cover and cable seals properly installed
- Designed to meet or exceed MIL-STD- 810F/G for shock, temperature, vibration and humidity

Sensor/System Integration

Integration with 3rd party equipment for auxiliary data or sensor support.

- PLC (SCADA Device) support
- Spreader controller systems
- Temperature sensors
- Humidity sensors
- Level sensing
- Environmental sensors

Certifications

- FCC
- IC
- PTCRB
- Applicable carriers

Call: 1.604.294.4465 | **Email:** info@cypress.bc.ca | **Visit:** cypress.bc.ca