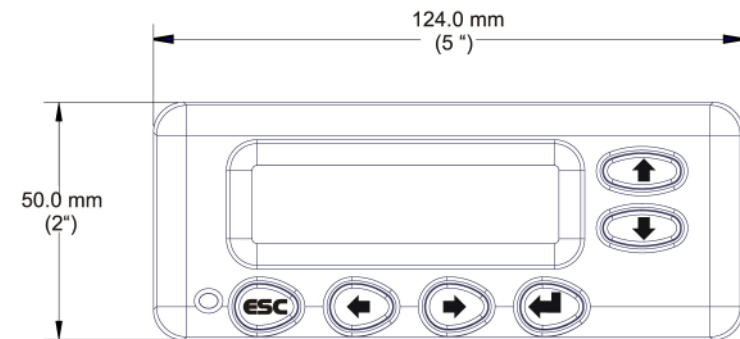


MESSAGE TERMINAL DATA SHEET

DESIGN

- Compact rugged design 5"(124mm) x 2"(50mm) x 1.5" (39mm)
 - Shock absorbing bracket for vehicle mounting with mounting holes for RAM Mount (RAM-238 Diamond base)
 - 2 x16 character display with white backlight for excellent low light/bright sunshine readability
 - 6 backlight multifunction keys (up, down, left, right, escape, enter)
 - Buzzer for audible alarm/notification
 - Status LED
- Requires 2 x AA batteries
 - Portable - easily removed from mounting bracket for use as a mobile device (350-1000 metre maximum range)



FUNCTIONALITY

- Send and receive messages to and from a remote server
- Displays position information such as GPS, LSD (legal subdivision)
- View modem status, IP, RSSI, etc.
- Works seamlessly with Gateway and Man Down Pendant

