

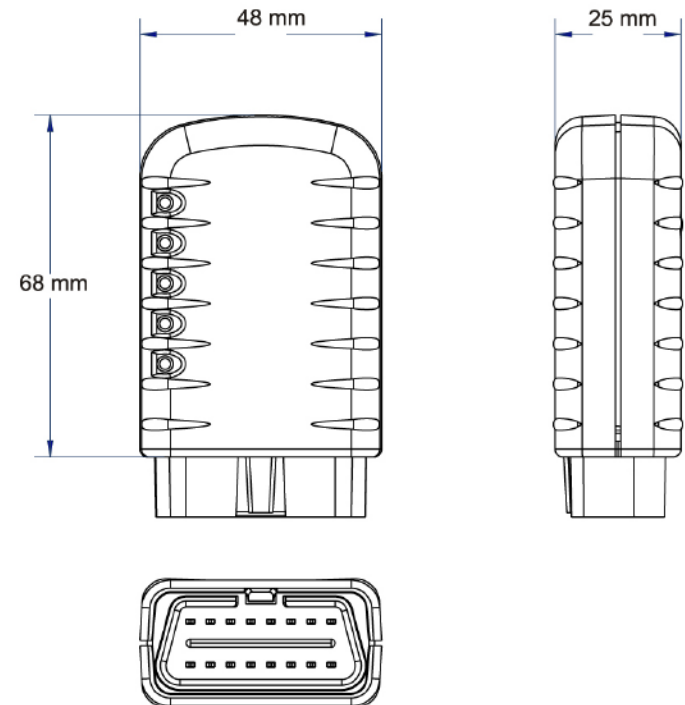
ENGINE VEHICLE DIAGNOSTIC TRANSMITTER (E-VDT) DATA SHEET

FEATURES

- 5 status LED's
- Power, RX(OBD), TX(OBD), RX(802.15), TX(802.15)
- Reset button
- IP 54 enclosure
- Operating temperature range of -40°C to +85°C

SUPPORTED PROTOCOLS

- ISO15765-4 (CAN)
- J1850 VPW
- ISO14230-4
- J1850 PWM
- ISO9141-2
- J1939



J1962 Hardware Interface

J1939 Optional Hardware Interface

PARAMETERS SUPPORTED (where available)

- Vehicle speed
- Engine speed
- Throttle position
- VIN (Vehicle Identification Number)
- Number of trouble codes
- Calculated engine load value
- Engine coolant temperature
- Fuel rail pressure (gauge)
- Intake manifold absolute pressure
- Ignition timing advance
- Intake air temperature
- MAF air flow rate
- Run-time since engine start
- Fuel level input
- Control module voltage
- Absolute load value
- Distance travelled while MIL is activated
- Distance since diagnostic trouble codes cleared
- Minutes run on the engine while MIL activated
- Time since diagnostic trouble codes cleared
- Calculated peak acceleration
- Calculated peak de-acceleration
- Odometer (J1939)
- Engine hour (J1939)
- PTO status
- MIL status